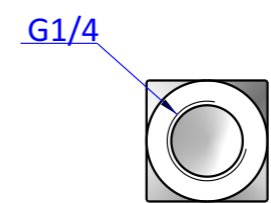
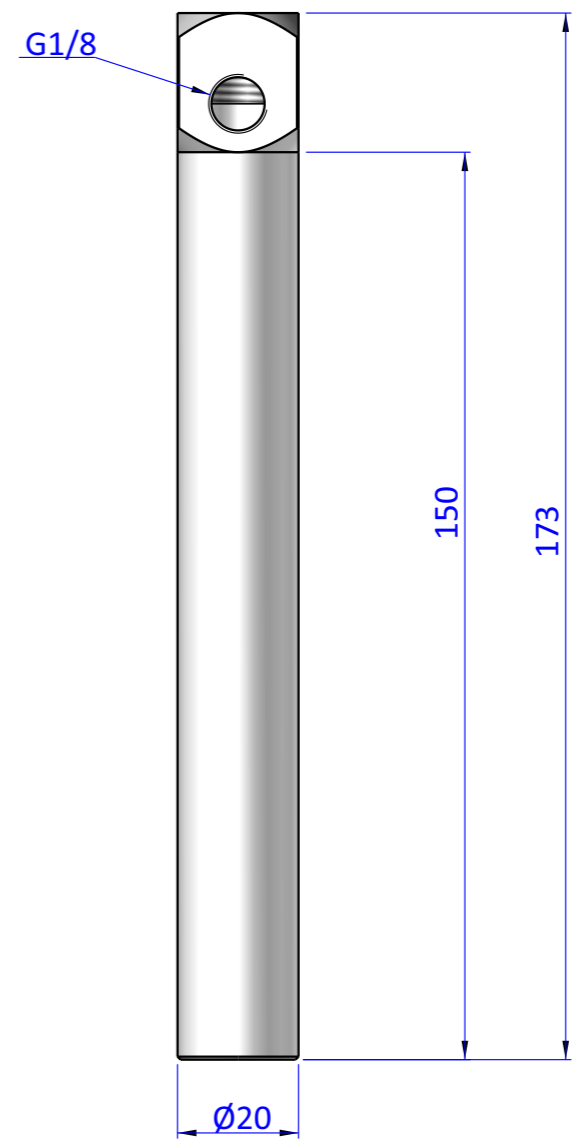
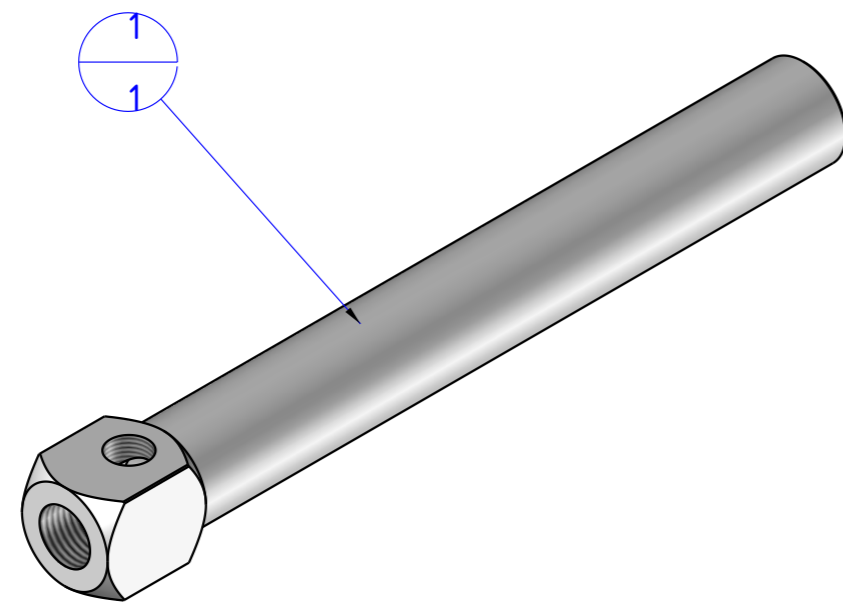



THE PROPERTY OF THE DRAWING IS ESTABLISHED BY LAW. IT IS FORBIDDEN TO PRODUCE OR SHOW IT TO THIRD PART. WITHOUT A WRITTEN AGREEMENT.

| Item | Name | Q.ty |
|------|------------------|------|
| 1 | GSE.20.14.18.150 | 1 |



Format A3
UNI 936-76

| | | | | |
|--|---------------------------------|---------------------------------|--------------------------|-------------|
|  FPS SERVICES AUTOMATION | | DESIGNED FROM FPS Automation | | REVIEW A |
| | | DATE 17/09/2020 | WEIGHT 0,068kg | |
| GENERAL TOLERANCE UNI - ISO 2768 CLASSE f | DESCRIPTION CA.GSE.201418150 | | CODE CA.GSE.201418150 | |